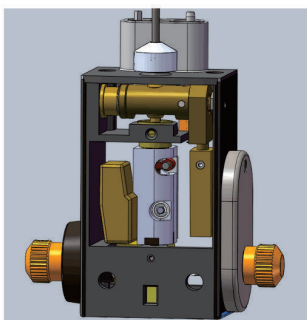


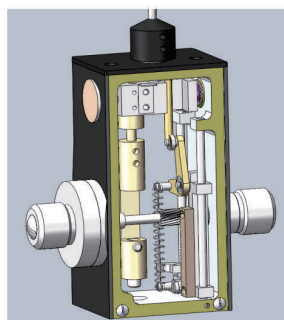


## Applanation tonometer (R Type/T Type /BQ Type ) Accurate tonometer equipment

- ✓ Kpa, mmHg Measurement display unit arbitrary switching
- ✓ Measurement data locking
- ✓ Auto Sleep
- ✓ Overrun alarm



Angular Contact



Spring Type

### High Accurate Design

Use The angle contact type eccentric gravity balance design, that the accuracy is over two times higher than that of the traditional spring balance design



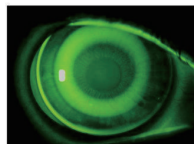
### Two Mode Reading

Digital display+ mechanical reading can be freely chosen according to user habits

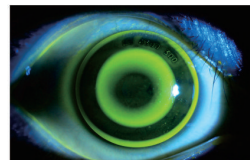


## Yellow Filter (Optional) Fluorescence Staining Inspection Expert

The use of special optical design and coating technology, color contrast is obvious, showing the ultimate dyeing effect. It will provide most reliable basic data for Corneal damage inspection and orthokeratology lens glasses etc.



Use other filter effect



Use Yellow filter effect

## Stereo Variator(Optional) Fundus Inspection Expert

The Stereo Variator component can change the angle of the binocular observation from 13 degrees to 4.5 degrees, so that the range of the fundus observation can be increased by more than two times, that the image of the eyes is better, and the stereoscopic feeling is better .

